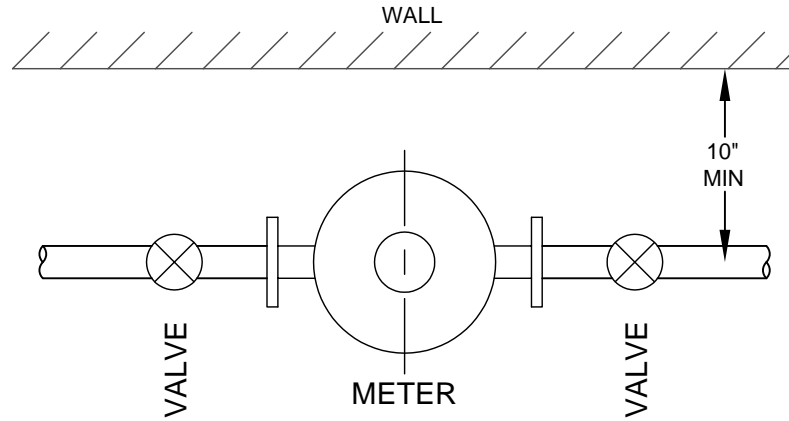
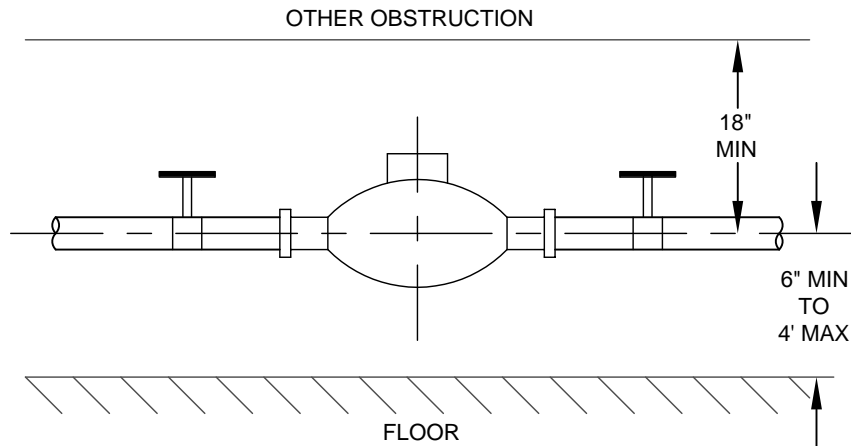


TOP VIEW



SIDE VIEW



Meter Guidelines for new meter installation

- Flare fittings or threaded fittings before meter
- Meter needs to be installed horizontally
- All meters to be installed inside home or approved meter pit
- Ball valves before and after meter(s)
- Tail ends(purchased by owner) to be installed before and after meter(s)
- Meter must be located within 3' of supply line entering home or business
- Proper support brackets are required for water lines
- State plumbing permit is required on all meter installations
- A copy of the state permit is required before meters can be purchased
- State permit can be found on the City of Grand Haven's website
- Owner is responsible for scheduling state plumbing inspection before meter installation.



CITY OF GRAND HAVEN, MICHIGAN

City of Grand Haven Public Works  
 1120 Jackson, Grand Haven, MI 49417  
 Phone: (616) 847-3493 - Fax: (616) 847-3470  
 Director: William J. Hunter

METER INSTALLATION  
 STANDARD DETAIL

DRAWN BY WJH	SCALE NONE	DATE 08-08-2013
APPROVED BY WJH	SHEET WS-5	DWG FILE Meter Installation